

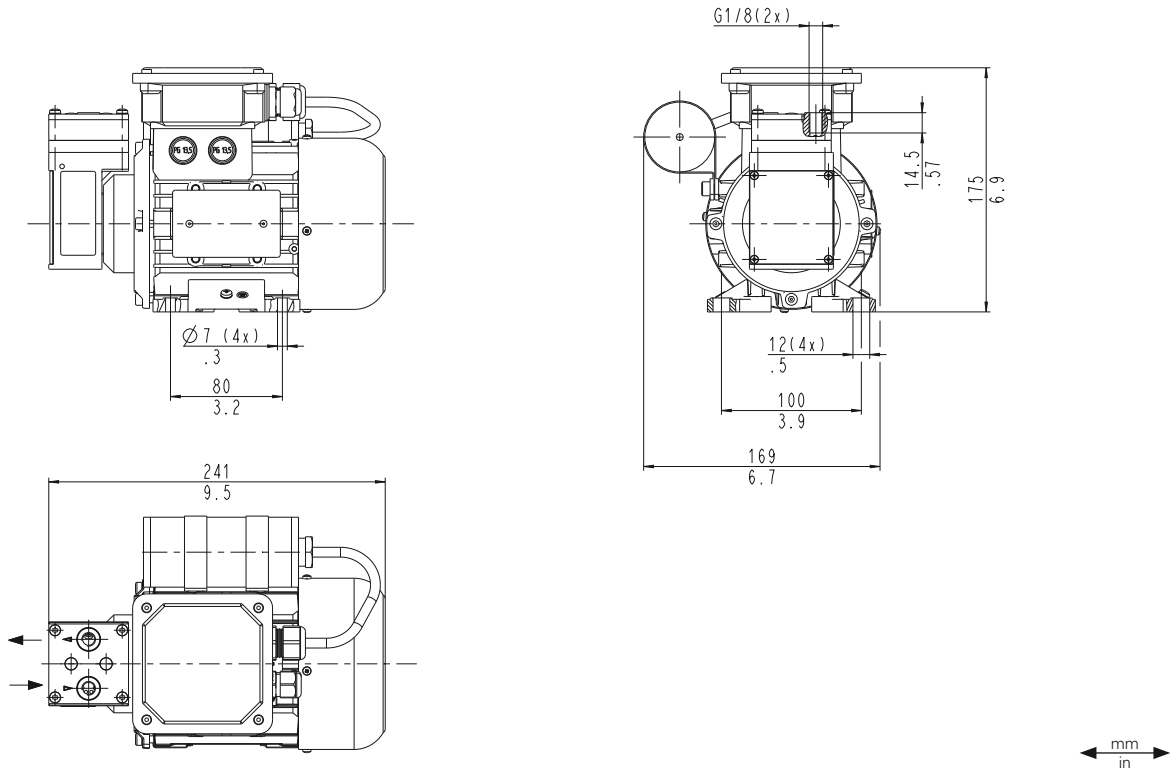
N 87 TT.9 E EX

PERFORMANCE DATA

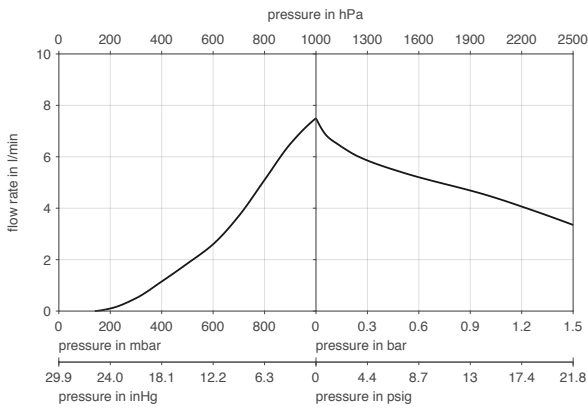
Series model	Flow rate at atm. pressure (l/min) ¹⁾	Max. operating pressure (bar rel./psig)	Ultimate vacuum (mbar abs.)
N 87 TT.9 E Ex	7.5	1.5/21.8	140

¹⁾ Liter at STP

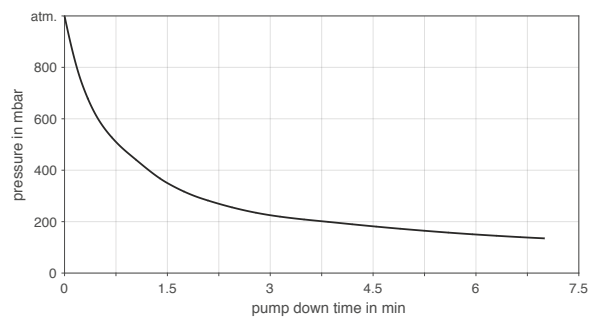
N 87 TT.9 E EX





N 87 TT.9 E EX



N 87 TT.9 E EX | PUMP DOWN TIME FOR 5 LITER VESSEL



ACCESSORIES

Description	Illustration	Part No.	Details
Hose connector for tube ID 6		123363	PVDF, G1/8
Inserted screw connection ID 6		014049	PVDF, G1/8

SPARE PARTS:

Description	Part No.
Spare parts kit N 87 TT.9 E Ex (1x valve plate, 1x diaphragm, 2x screw caps)	322292

The performance values for the series models shown on this data sheet were determined under test conditions. The actual performance values may differ and depend in particular on the usage conditions and therefore on the specific application, on the parameters of the components involved in the user's system and on any technical modifications carried out which deviate from the standard configuration or the as delivered condition.

If individual designs have been created for specific customers on the basis of series models, other technical performance data may apply. Before operation begins, the relevant operating instructions and/or assembly or installation instructions should be read and the safety information contained in these instructions should be noted. KNF reserves the right to make changes to the product and the associated documentation without prior notice to the customer.



www.knf.com